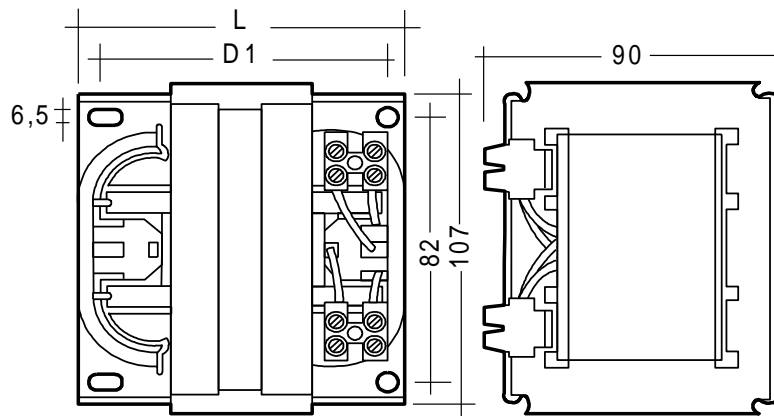


BALLAST	TECHNICAL DATA	Type	OGLS 400W 60 230-250/50 060A114 TP
---------	----------------	------	------------------------------------



Ballast for HI and HS lamps

OGLS 400W 60 230-250/50 060A114 TP Ord. No. 144171

Standards	EN 60923, EN 61347
Directives	RoHS - 2011/65/EU
Declarations	CE
Approvals	ENEC 11

Lamp	Type	HI;HS 400W 4,2-4,6A
------	------	---------------------

Network (line voltage)	V / Hz	230; 240; 250 / 50
------------------------	--------	--------------------

Current	A	4,2-4,6
---------	---	---------

Losses - warm	W	34
---------------	---	----

$\cos\varphi_{in}$	-	0,38
--------------------	---	------

η	%	>90% - A2
--------	---	-----------

$tw/\Delta tn$	K	130/ 80
----------------	---	---------

Thermal protection	Yes
--------------------	-----

L	mm	114
---	----	-----

D1	mm	100
----	----	-----

Weight	Kg	4,309
--------	----	-------

Packing	Pcs./Carton	4
---------	-------------	---

Packing	Pcs./Pallet	144
---------	-------------	-----

Impregnation	Vacuum impregnated with polyester resin
--------------	---