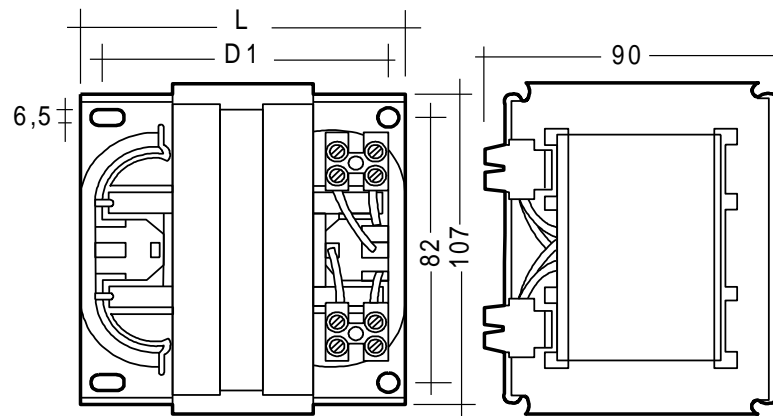


BALLAST	TECHNICAL DATA	Type	OGLS 400W 60 220-240/60 060A114 TP
---------	----------------	------	------------------------------------



Ballast for HI and HS lamps

OGLS 400W 60 220-240/60 060A114 TP Ord. No. 144169

Standards		EN 60923, EN 61347
Directives		RoHS - 2011/65/EU
Declarations		CE
Approvals		-
Lamp	Type	HI;HS 400W 4,2-4,6A
Network (line voltage)	V / Hz	220; 230; 240 / 60
Current	A	4,2-4,6
Losses - warm	W	30,4
$\cos\varphi_{in}$	-	0,42
η	%	-
tw/ Δ tn	K	130/ 60
Thermal protection		Yes
Maximum ambient temperature		Not defined
L	mm	114
D1	mm	100
Weight	Kg	4,253
Packing	Pcs./Carton	4
Packing	Pcs./Pallet	144
Impregnation		Vacuum impregnated with polyester resin
Varanty		10 years