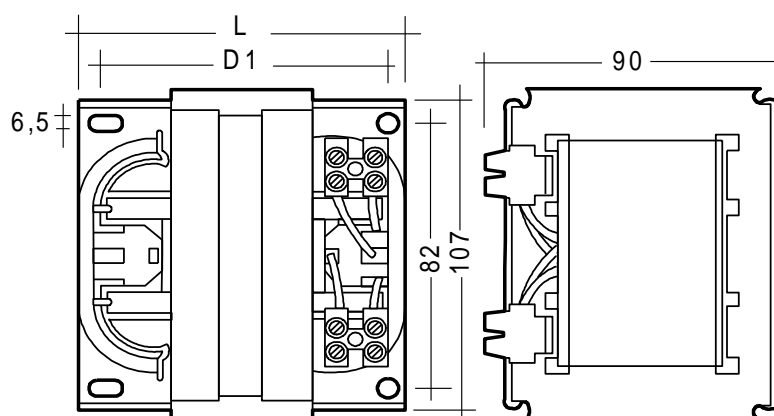


BALLAST	TECHNICAL DATA	Type	OGL 400W 40 220-240/50 040A094
---------	----------------	------	--------------------------------



Ballast for HM lamps

OGL 400W 40 220-240/50 040A094 Ord. No. 143134

Standards		EN 60923, EN 61347
Directives		RoHS - 2011/65/EU
Declarations		CE
Approvals		-
Lamp	Type	HM 400W 3,25A
Network (line voltage)	V / Hz	220; 230; 240 / 50
Current	A	3,25
Losses - warm	W	25,1
cosφ ind	-	0,57
Efficiency classification		A2
tw/Δtn	K	130/ 75
Thermal protection		No
L	mm	94
D1	mm	80
Weight	Kg	3,05
Packing	Pcs./Carton	6
Packing	Pcs./Pallet	216
Impregnation		Vacuum impregnated with polyester resin